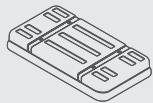


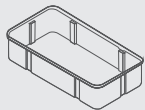
Hardcase / Podium

ASSEMBLY INSTRUCTIONS

BOX CONTENTS



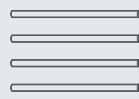
(1) Case Shell A



(1) Case Shell B



(1) Counter Top



(4) Poles

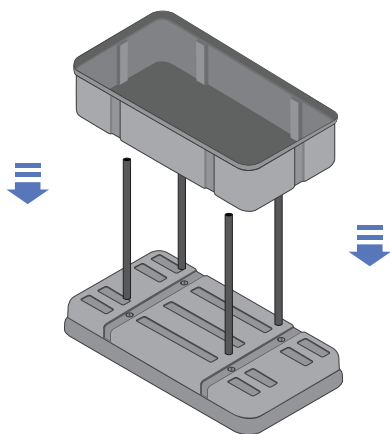


(1) Podium Graphic
(Ships Separately)

1

Assemble the Frame

Place Case Shell A on the floor and securely insert the poles into the four holes. Then align Case Shell B over the four poles, match up the holes, and fit securely into place.

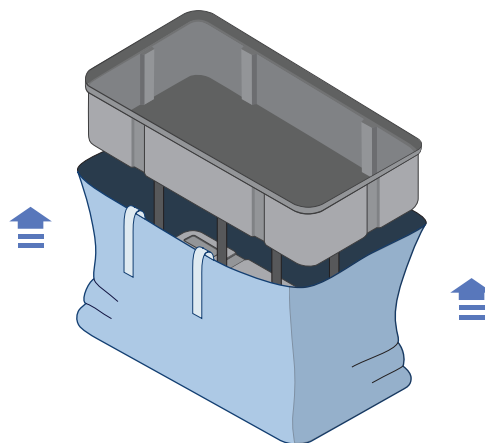


To ensure poles are inserted correctly, twist or firmly press down until they are fully secure.

2

Install the Graphic

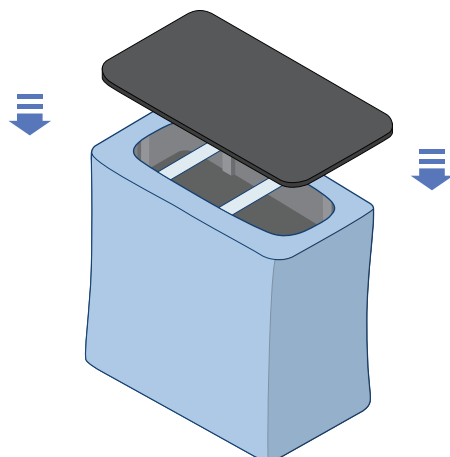
Starting at the base, wrap the graphic around Case Shell A and pull up over the top of Case Shell B, one corner at a time. Adjust the graphic so it's straight, then zip the back.



3

Attach the Counter Top

Place the black Counter Top piece on top and press down to ensure the grooves fit over the edges of the case shell.



4

Store Personal Items

Hide samples, marketing materials, or personal items inside the podium by storing under the case lid or within the zipper compartment in the back. Your Podium is ready for action!

